



Catalogo ricambi
Spare parts catalogue

VERONA RS

SANREMO coffee machines s.r.l.

Via Bortolan, 52 - 31050 Vascon di Carbonera (Treviso) ITALY

Tel. +39.0422.498900 - Fax. +39.0422.448935

www.sanremomachines.com - E-mail: info@sanremomachines.com

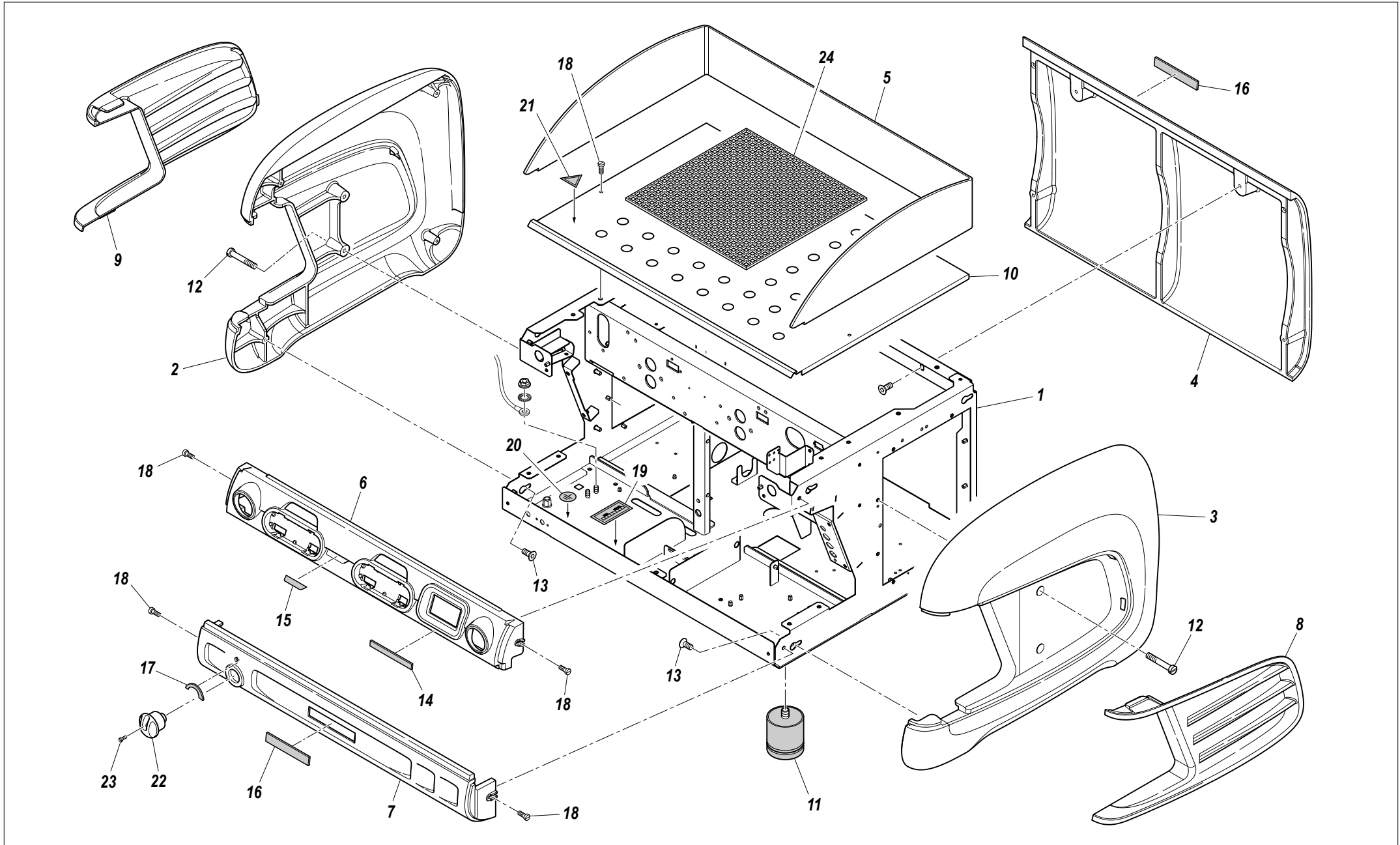
TAV. / DRAW. 1	PANNELLI / PANELS	Pag. 4
TAV. / DRAW. 2	PARTI ACCIAIO / STEEL COMPONENTS	Pag. 8
TAV. / DRAW. 3	PANNELLO COMANDI / CONTROLS PANEL	Pag. 10
TAV. / DRAW. 4	LANCIA VAPORE - LANCIA AUTO STEAMER / STEAM PIPE - AUTO STEAMER PIPE	Pag. 12
TAV. / DRAW. 5	IMPIANTO AUTO STEAMER / AUTO STEAMER SYSTEM	Pag. 14
TAV. / DRAW. 6	IMPIANTO ACQUA / WATER SYSTEM	Pag. 16
TAV. / DRAW. 7	IMPIANTO IDRAULICO / HYDRAULIC SYSTEM	Pag. 18
TAV. / DRAW. 8	CARICO-SCARICO ACQUA / WATER CHARGE-DISCHARGE	Pag. 20
TAV. / DRAW. 9	CALDAIA / BOILER	Pag. 22
TAV. / DRAW. 10	CALDAIA CAFFE' / COFFEE BOILER	Pag. 26
TAV. / DRAW. 11	GRUPPO EROGAZIONE / DISTRIBUTION GROUP	Pag. 28
TAV. / DRAW. 12	IMPIANTO ELETTRICO / ELECTRIC SYSTEM	Pag. 32
INDICE NUMERICO PROGRESSIVO / NUMERICAL INDEX		Pag. 34

VERONA RS

TAVOLA
DRAWING

1

1/2



VERONA RS

TAVOLA
DRAWING

1

PANNELLI / PANELS

1/2



RIF. POS.	CODICE CODE	DESCRIZIONE	DESCRIPTION	NOTE NOTES
1	10012512D	TELAIO VR 2 NERO	VR 2 FRAME BLACK	2 GRUPPI / 2 GROUPS
1	10012584B	TELAIO VR 3 NERO	VR 3 FRAME BLACK	3 GRUPPI / 3 GROUPS
2	10091128B	FIANCO SX VR NERO OPACO	LEFT SIDE PANEL VR MATT BLACK	
2	10091215B	FIANCO SX VR BIANCO 9003	LEFT SIDE PANEL VR WHITE 9003	
3	10091108B	FIANCO DX VR NERO OPACO	RIGHT SIDE PANEL MATT BLACK	
3	10091210B	FIANCO DX VR BIANCO 9003A	RIGHT SIDE PANEL VR BLACK 9003	
4	10091508	PANNELLO POSTERIORE VR 2 NERO OPACO	REAR PANEL VR 2 MATT BLACK	
4	10091518	PANNELLO POSTERIORE VR 3 NERO OPACO	REAR PANEL VR 3 MATT BLACK	
4	10091580	PANNELLO POSTERIORE VR 2 BIANCO 9003	REAR PANEL VR 2 WHITE 9003	
4	10091582	PANNELLO POSTERIORE VR 3 BIANCO 9003	REAR PANEL VR 3 WHITE 9003	
5	10352096	FERMATAZZE VR 2 NERO OPACO	CUP SUPPORT VR 2 MATT BLACK	
5	10352098	FERMATAZZE VR 3 NERO OPACO	CUP SUPPORT VR3 MATT BLACK	
5	10352100A	FERMATAZZE VR 2 NERO	CUP SUPPORT VR 2 BLACK	
5	10352102A	FERMATAZZE VR 3 NERO	CUP SUPPORT VR 3 BLACK	
6	10092262	FRONTALE SUPERIORE VR RS 2 BIANCO 9003	UPPER FRONT VR RS 2 WHITE 9003	
6	10092263	FRONTALE SUPERIORE VR RS 3 BIANCO 9003	UPPER FRONT VR RS 3 WHITE 9003	
6	10092428	FRONTALE SUPERIORE VR RS 2 NERO OPACO	UPPER FRONT VR RS 2 MATT BLACK	
6	10092498	FRONTALE SUPERIORE VR RS 3 NERO OPACO	UPPER FRONT VR RS 3 MATT BLACK	
7	10091252	FRONTALE INFERIORE VR 2 BIANCO 9003	LOWER FRONT VR 2 WHITE 9003	
7	10091254	FRONTALE INFERIORE VR 3 BIANCO 9003	LOWER FRONT VR 3 WHITE 9003	
7	10091418	FRONTALE INFERIORE VR 2 NERO OPACO	LOWER FRONT VR 2 MATT BLACK	
7	10091448	FRONTALE INFERIORE VR 3 NERO OPACO	LOWER FRONT VR 3 MATT BLACK	
8	10091200A	PRESA ARIA FIANCO DX VR CROMATA	CHROMED AIR INTAKE RIGHT SIDE VR	
9	10091220A	PRESA ARIA FIANCO SX VR CROMATA	CHROMED AIR INTAKE LEFT SIDE VR	
10	10012926	GRIGLIA PORTATAZZE VR RS 2	CUP HOLDER GRID VR RS 2	
10	10012938	GRIGLIA PORTATAZZE VR RS 3	CUP HOLDER GRID VR RS 3	
11	10352055A	PIEDINO D.50X73	FOOT D.50X73	
12	10805029	VITE TBL M4X35 A2	TBL SCREW M4X35 A2	
13	10801028	VITE TSPEI M6X10 A2	TSPEI SCREW M6x10 A2	
14	10955036	ETICHETTA "MADE IN ITALY"	LABEL "MADE IN ITALY"	
15	10955084B	ETICHETTA "VERONA RS"	LABEL"VERONA RS"	
16	10955056	ETICHETTA SR 117,5X19,4 NERO	BLACK LABEL SR 117,5X19,4	

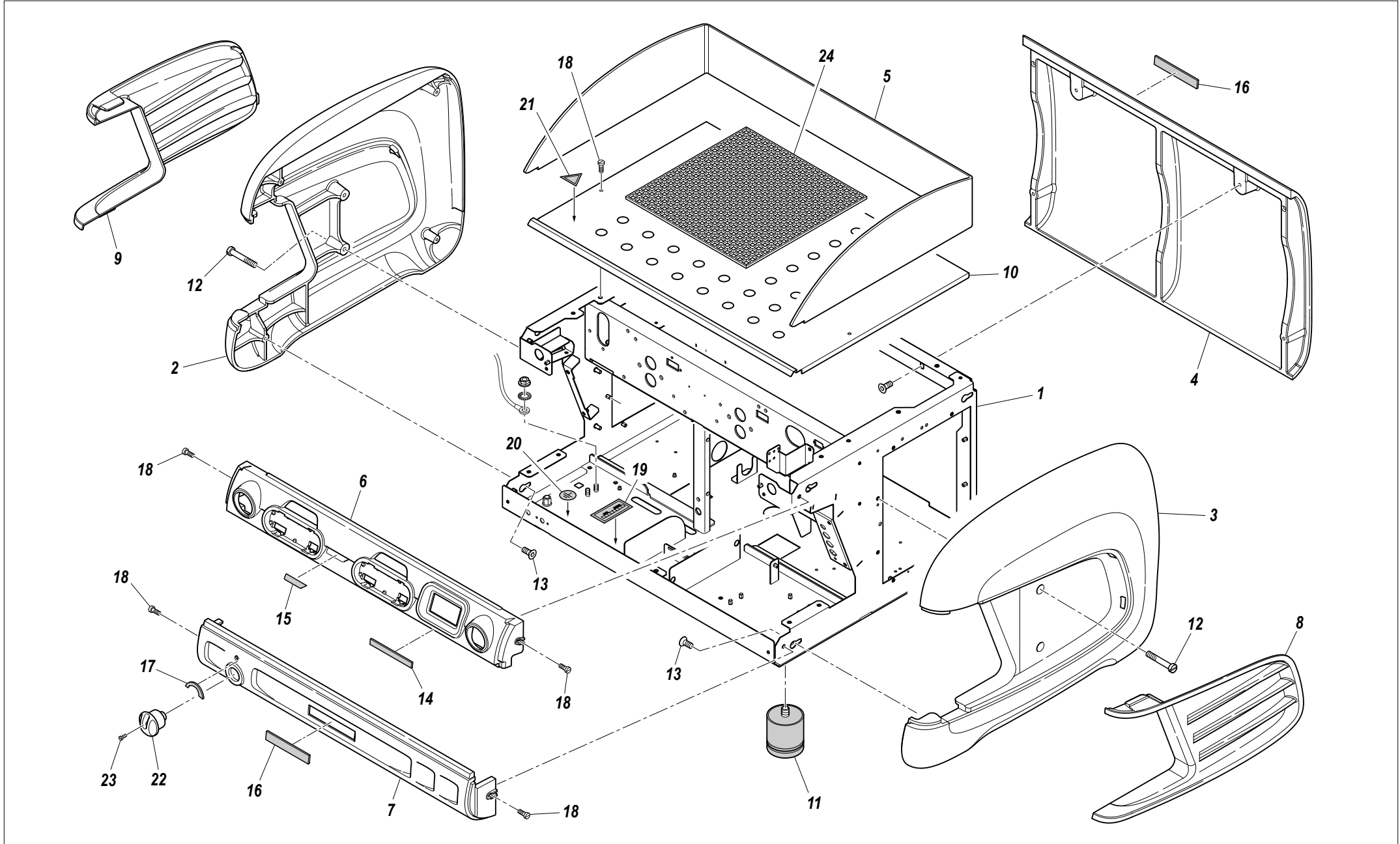
SEGUE / CONTINUE ---->

VERONA RS

TAVOLA
DRAWING

1

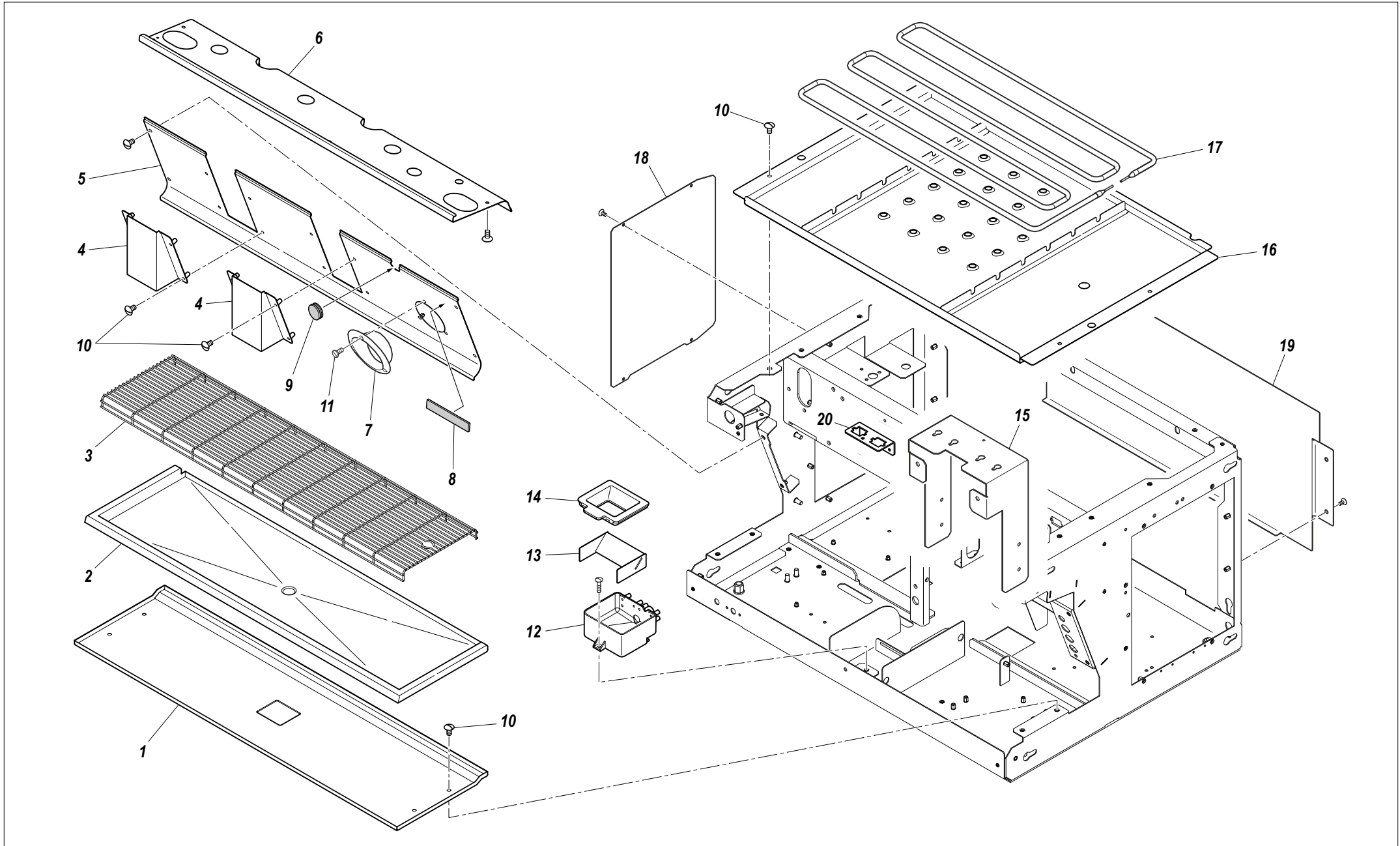
2/2



VERONA RS

TAVOLA
DRAWING

2



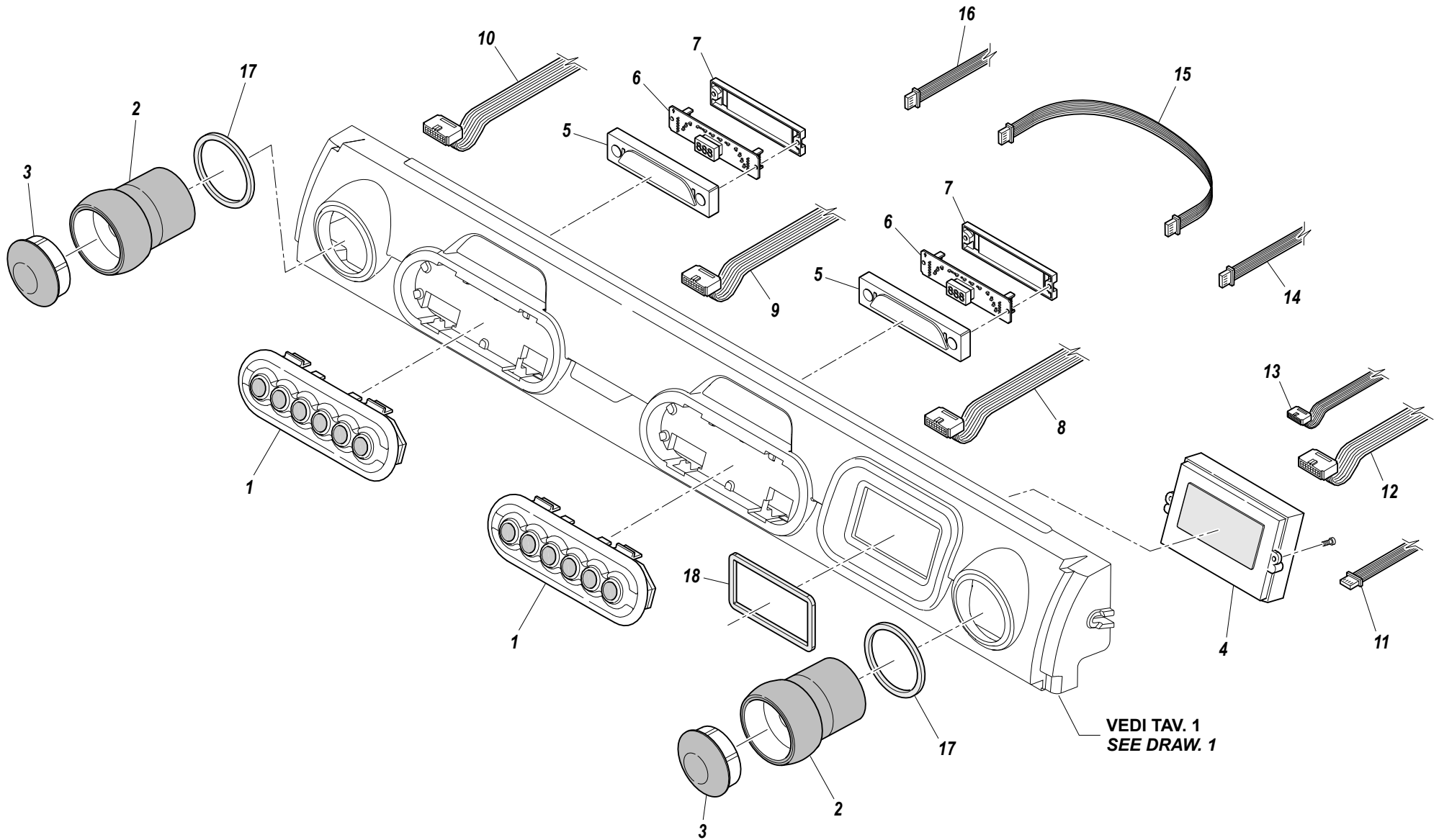


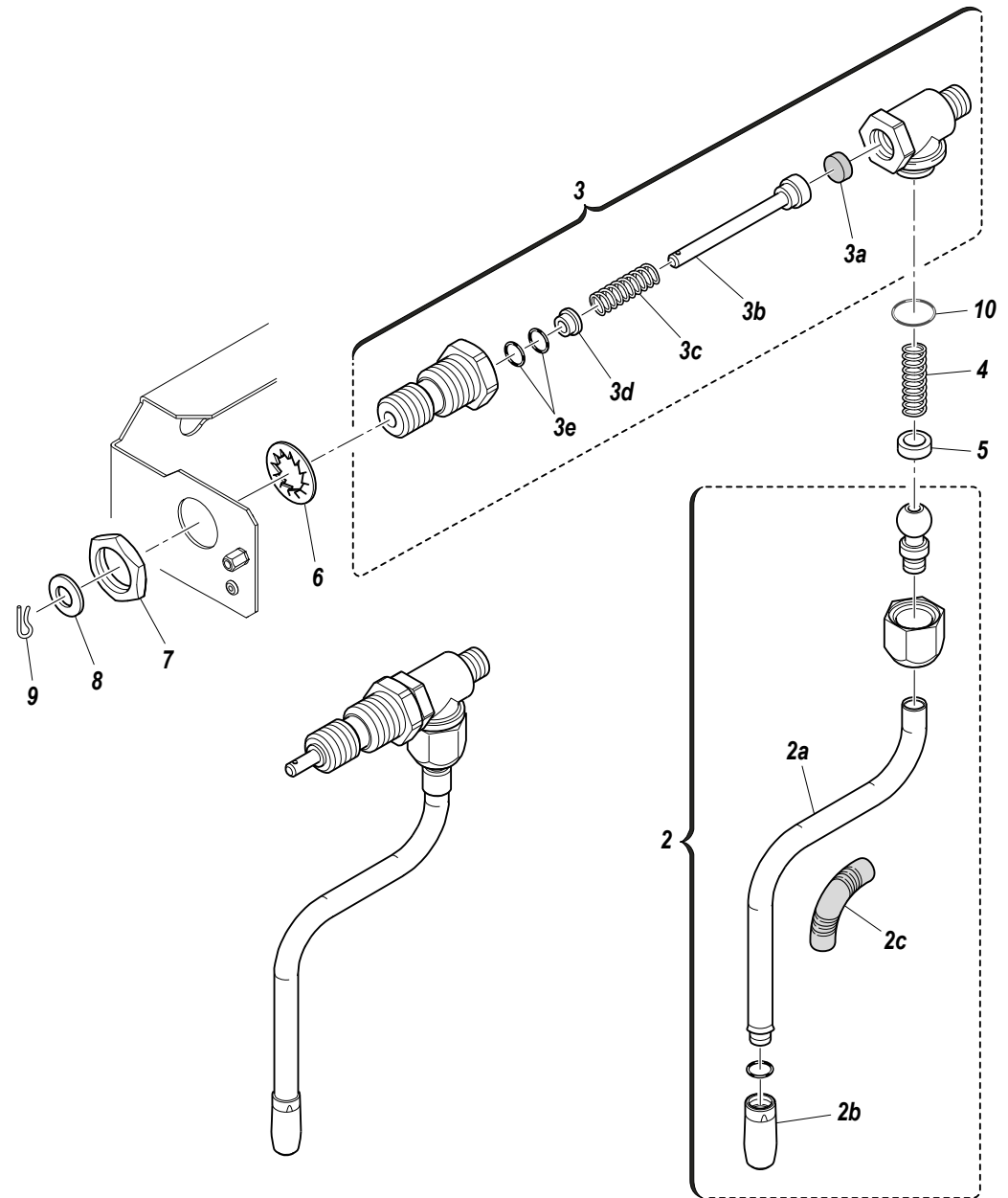
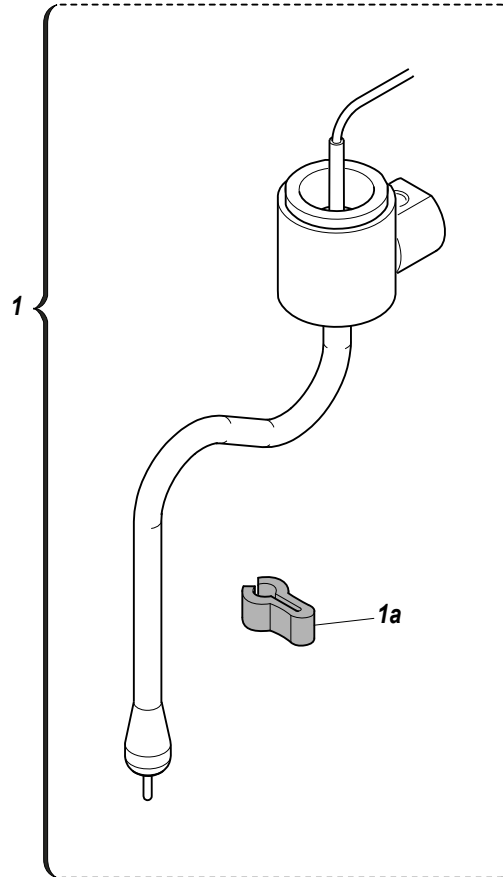
RIF. POS.	CODICE CODE	DESCRIZIONE	DESCRIPTION	NOTE NOTES
1	10012360A	STAFFA PROTEZIONE CENTRALINA VR 2	BRACKET PROTECTION UNIT VR 2	2 GRUPPI / 2 GROUPS
1	10012410A	STAFFA PROTEZIONE CENTRALINA VR 3	BRACKET PROTECTION UNIT VR 3	3 GRUPPI / 3 GROUPS
2	10012398A	PIATTO DI SCARICO VR 2	DRAIN DISH VR 2	2 GRUPPI / 2 GROUPS
2	10012408A	PIATTO DI SCARICO VR 3	DRAIN DISH VR 2	3 GRUPPI / 3 GROUPS
3	10022726A	GRIGLIA SCARICO VR 2	DRAIN GRID VR 2	2 GRUPPI / 2 GROUPS
3	10012430	GRIGLIA SCARICO VR 3	DRAIN GRID VR 3	3 GRUPPI / 3 GROUPS
4	10012396B	COPRIELETTRIVALVOLA VR	ELECTROVALVE COVER VR	
5	10022694	PROTEZIONE FRONTALE VR 2	FRONT PROTECTION VR 2	2 GRUPPI / 2 GROUPS
5	10022698	PROTEZIONE FRONTALE VR 3	FRONT PROTECTION VR 3	3 GRUPPI / 3 GROUPS
6	10012923	PROTEZIONE GRUPPI VR 2 SPOT	VR 2 SPOT GROUP PROTECTION	2 GRUPPI / 2 GROUPS
6	10012925	PROTEZIONE GRUPPI VR 2 SPOT+TVC	VR 2 SPOT+ TVC GROUP PROTECTION	2 GRUPPI / 2 GROUPS
6	10012423	PROTEZIONE GRUPPI VR 3 SPOT+TVC	VR 3 SPOT+ TVC GROUP PROTECTION	3 GRUPPI / 3 GROUPS
6	10012937	PROTEZIONE GRUPPI VR 3 SPOT	VR 2 SPOT GROUP PROTECTION	3 GRUPPI / 3 GROUPS
7	10091186A	CORNICE MANOMETRO VR	FRAME GAUGE VR	
8	10955080A	ETICHETTA LOGO VR	VR LOGO LABEL	
9	10553066	TAPPO CIECO CARICO VR	BR BLIND PLUG LOAD	
10	10805027	VITE TBL- M4x10 A2	TBL- M4x10 A2 SCREW	
11	10805126	VITE TC- M3X6 A2	TC- M3X6 A2 SCREW	
12	10022441A	VASCHETTA SCARICO	DRAIN TUB	
13	10012144	ROMPIGETTO VASCHETTA SCARICO	JET BREAKER FOR DRAIN TUB	
14	10022476B	COPERCHIO VASCHETTA SCARICO	DRAINTUB COVER	
15	10012928A	STAFFA CALDAIETTE VR RS 2-3	VR RS 2-3 VESSEL BRACKET	
15	10012934	STAFFA CALDAIETTE VR RS 3	VR RS 3 VESSEL BRACKET	
16	10012369B	VASCA SUPERIORE VR 2	VR 2 UPPER TANK	2 GRUPPI / 2 GROUPS
16	10012426B	VASCA SUPERIORE VR 3	VR 3 UPPER TANK	3 GRUPPI / 3 GROUPS
17	10455044	RESISTENZA SCALDATAZZE VR 2	VR 2 HEATER RESISTOR	2 GRUPPI / 2 GROUPS
17	10455045	RESISTENZA SCALDATAZZE VR 3	VR 3 HEATER RESISTOR	3 GRUPPI / 3 GROUPS
18	10012498A	PIASTRA LATERALE VR	VR SIDE PLATE	
19	10012580A	PIASTRA POSTERIORE VR 2	VR 2 REAR PLATE	2 GRUPPI / 2 GROUPS
19	10012582A	PIASTRA POSTERIORE VR 3	VR 3 REAR PLATE	3 GRUPPI / 3 GROUPS
20	10012932	STAFFA CONNETTORI VR RS	VR RS CONNECTORS BRACKET	

VERONA RS

TAVOLA
DRAWING

3

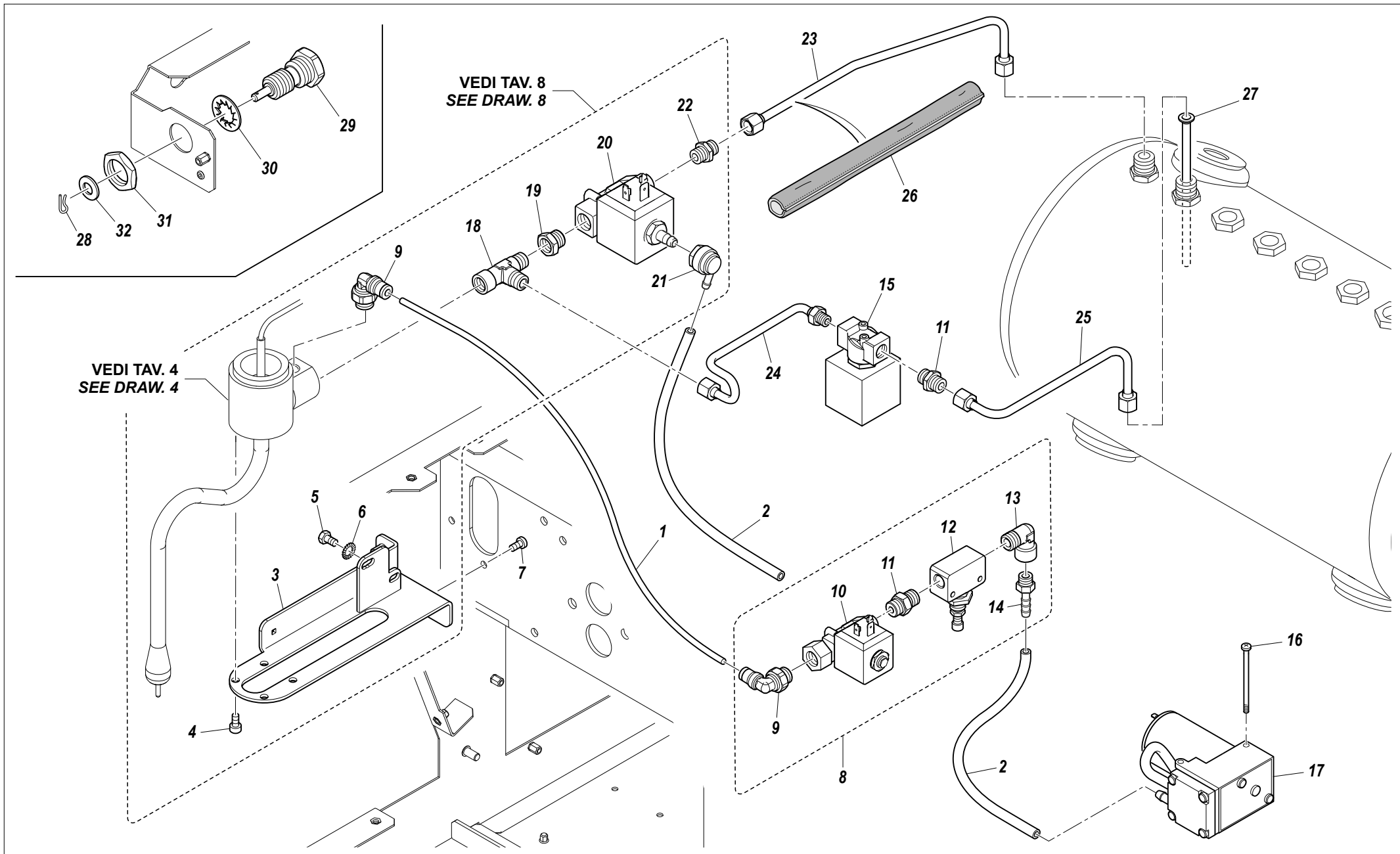




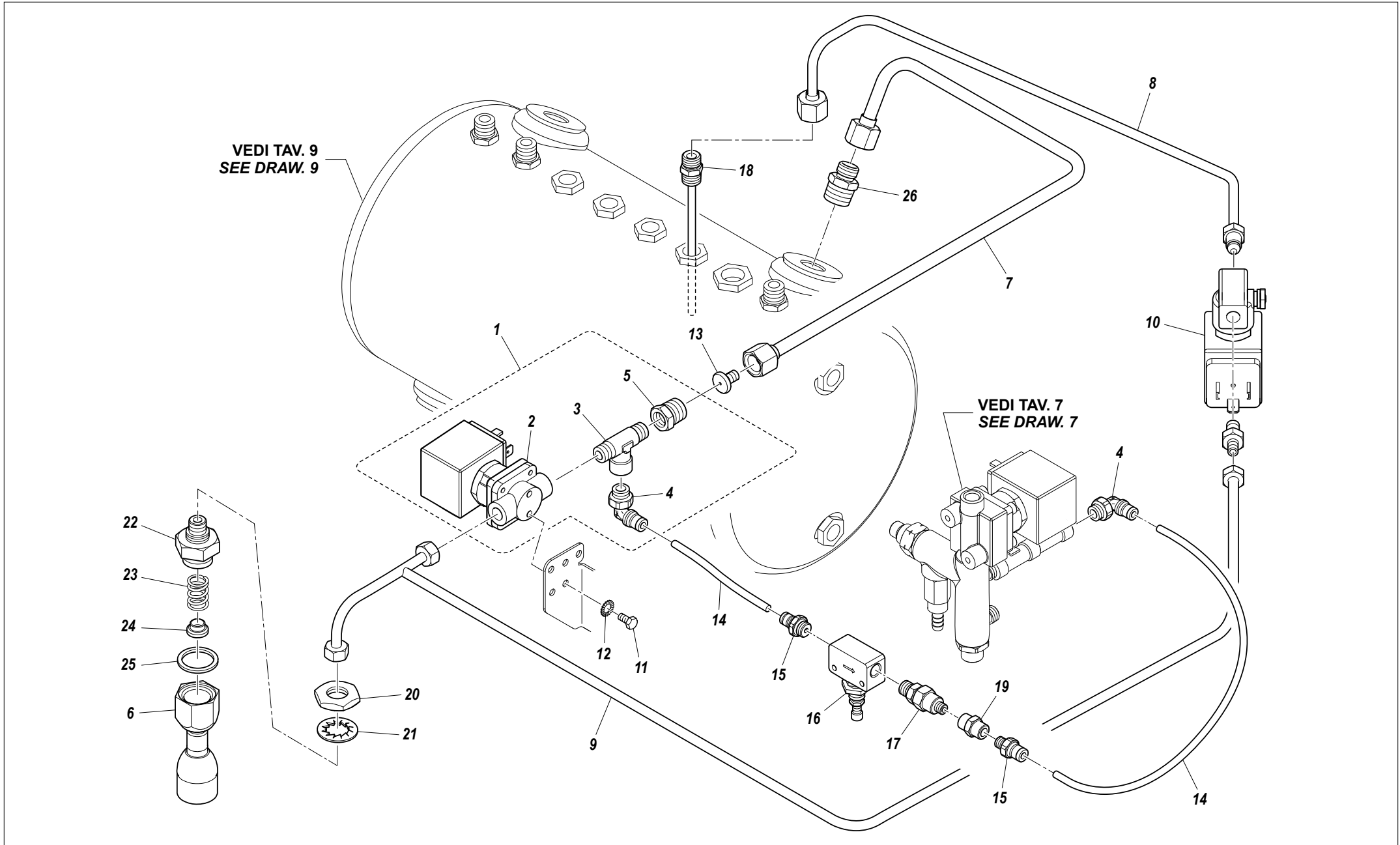
VERONA RS

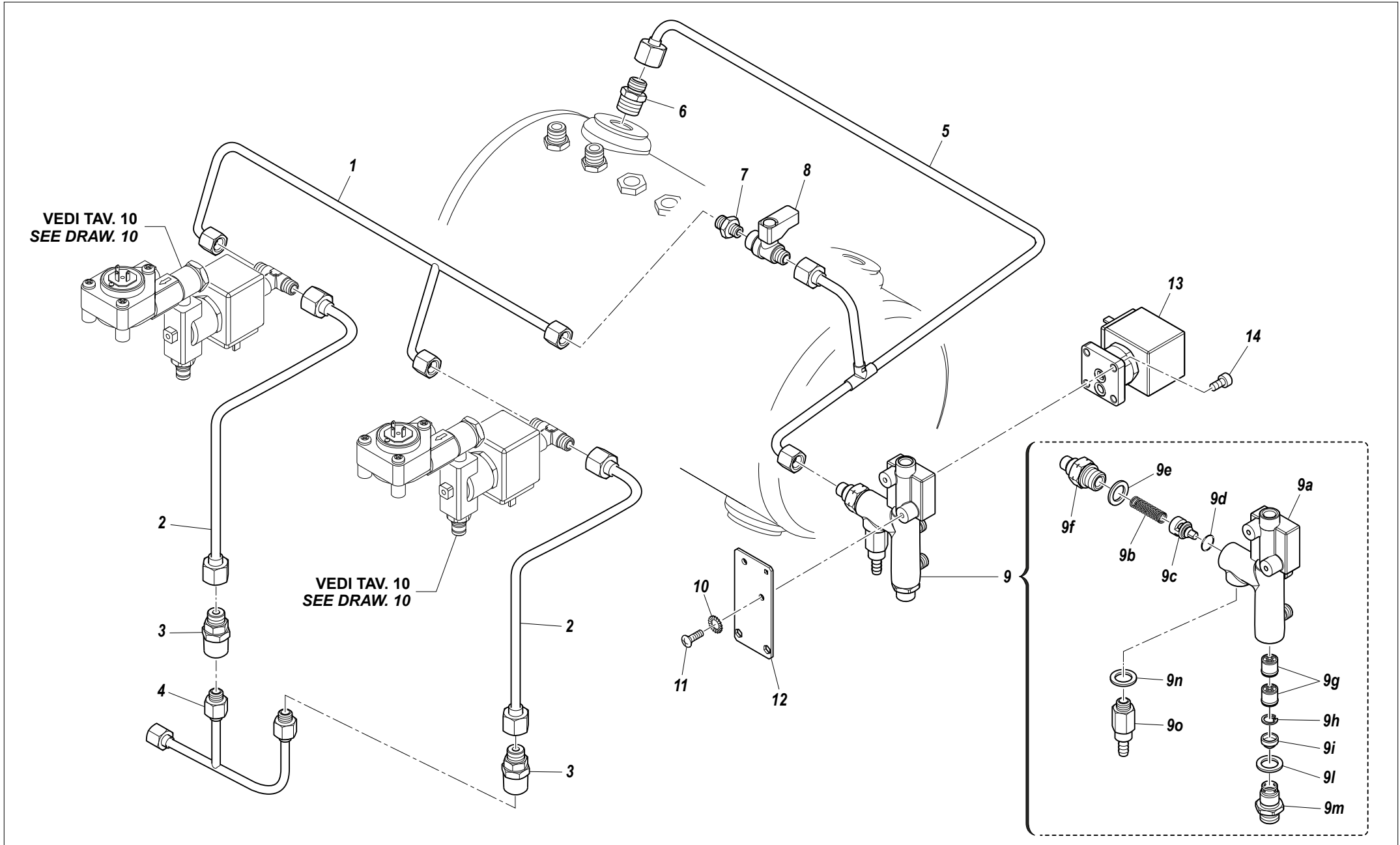
TAVOLA
DRAWING

5



RIF. POS.	CODICE CODE	DESCRIZIONE	DESCRIPTION	NOTE NOTES
1	10909010	TUBO D.4X2,5 TEFLON	D.4X2,5 TEFLON TUBE	
2	10905010	TUBO SILICONE 7X4	7X4 SILICON TUBE	
3	10012330	STAFFA LANCIA TVC	TVC NOZZLE BRACKET	
4	10805060	VITE TCEI M4X6 A2	TCEI M4X6 A2 SCREW	
5	10805074	VITE TE M4X8 ZN	TE M4X8 ZN SCREW	
6	10803519	RONDELLA D.4,2 DENTELLATA	D.4,2 SERRATED WASHER	
7	10805027A	VITE TBL- M4X10 A2	TBL- M4X10 A2 SCREW	
8	10401804	REGOLATORE FLUSSO COMPLETO VR RS TVC	VR RS TVC COMPLETE FLOW CONTROLLER	
9	10853210	RACCORDO L RAPIDO 4X1/8M	4X1/8M QUICK L FITTING	
10	10303010B	ELETTROVALVOLA 2 VIE 1/8 D.1,5 230V	2 WAYS 1/8 D.1,5 230V SOLENOID	
11	13857080A	RACCORDO DRITTO 6-1/8M	6-1/8M STRAIGHT FITTING	
12	10852004	REGOLATORE DI FLUSSO	FLOW REGULATOR	
13	10852210B	RACCORDO GOMITO 1/8	1/8 ELBOW FITTING	
14	10853068A	RACCORDO DRITTO PORTAGOMMA	STRAIGHT HOSE FITTING	
15	10303108	ELETTROVALVOLA 2 VIE 1/8 230V 10B	2 WAYS 1/8 230V 10B SOLENOID	
16	10805152	VITE TC- M3X40 A2	TC- M3X40 A2 SCREW	
17	10255084	COMPRESSORE	COMPRESSOR	
18	10853270	RACCORDO T MMF 1/8	T MMF 1/8 FITTING	
19	13857520A	RACCORDO RIDUZIONE 1/4M-1/8F	1/4M-1/8F REDUCTION FITTING	
20	10302070	ELETTROVALVOLA 3 VIE 3,2 230V	3 WAYS 3,2 230V SOLENOID	
21	10255028A	RACCORDO GOMITO GIREVOLE F1/8	F1/8 ROTATIVE ELBOW FITTING	
22	10855032C	RACCORDO DRITTO 1/4M 1/4M	1/4M 1/4M STRAIGHT FITTING	
23	10004222	TUBO VAPORE SX VR RS2-3 LANCIA TVC	SX VR RS2-3 NOZZLE TVC STEAM PIPE	
24	10004224	TUBO LANCIA TVC VR RS2-3 CON ELETTROVALVOLA	TVC VR RS2-3 NOZZLE TUBE WITH SOLENOID	
25	10004226	TUBO PRELIEVO ACQUA TVC VR RS2-3	TVC VR RS2-3 WATER INLET PIPE	
26	10025584	ISOLANTE L=250 mm	INSULATION L=250 mm	
26	10025598	ISOLANTE L=580 mm	INSULATION L=580 mm	
27	10004220	PESCANTE VR RS TVC	VR RS TVC INTAKE	
28	10806372	COPPIGLIA INOX	INOX COTTER PIN	
29	10402035	RACCORDO MANOPOLA VAPORE	KNOB STEAM FITTING	
30	10806312	RONDELLA D.21 DENTELLATA	D.21 SERRATED WASHER	
31	10402028	MEZZO DADO 1/2	HALF NUT 1/2	
32	10402040	RONDELLA RUBINETTO	TAP WASHER	

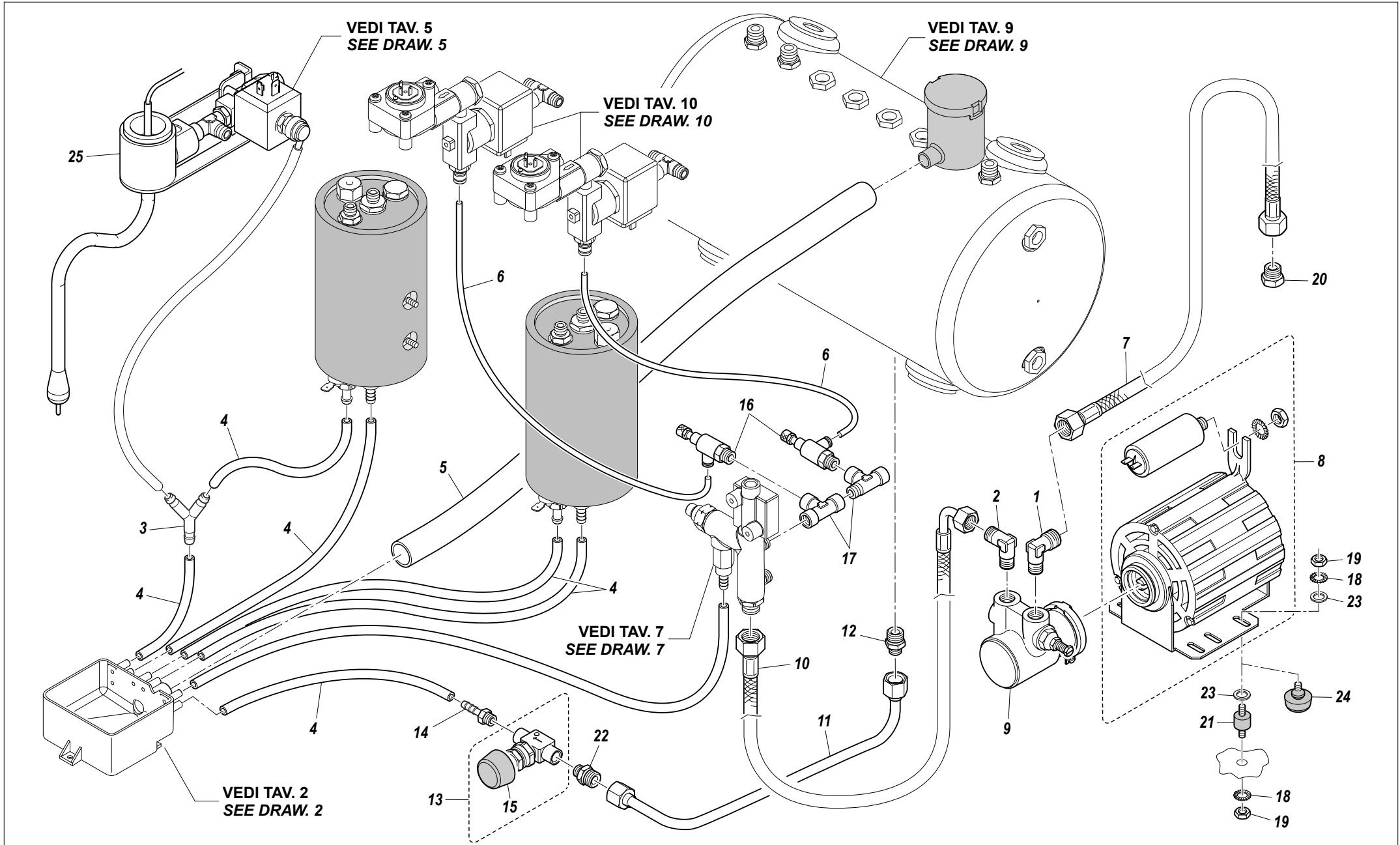




VERONA RS

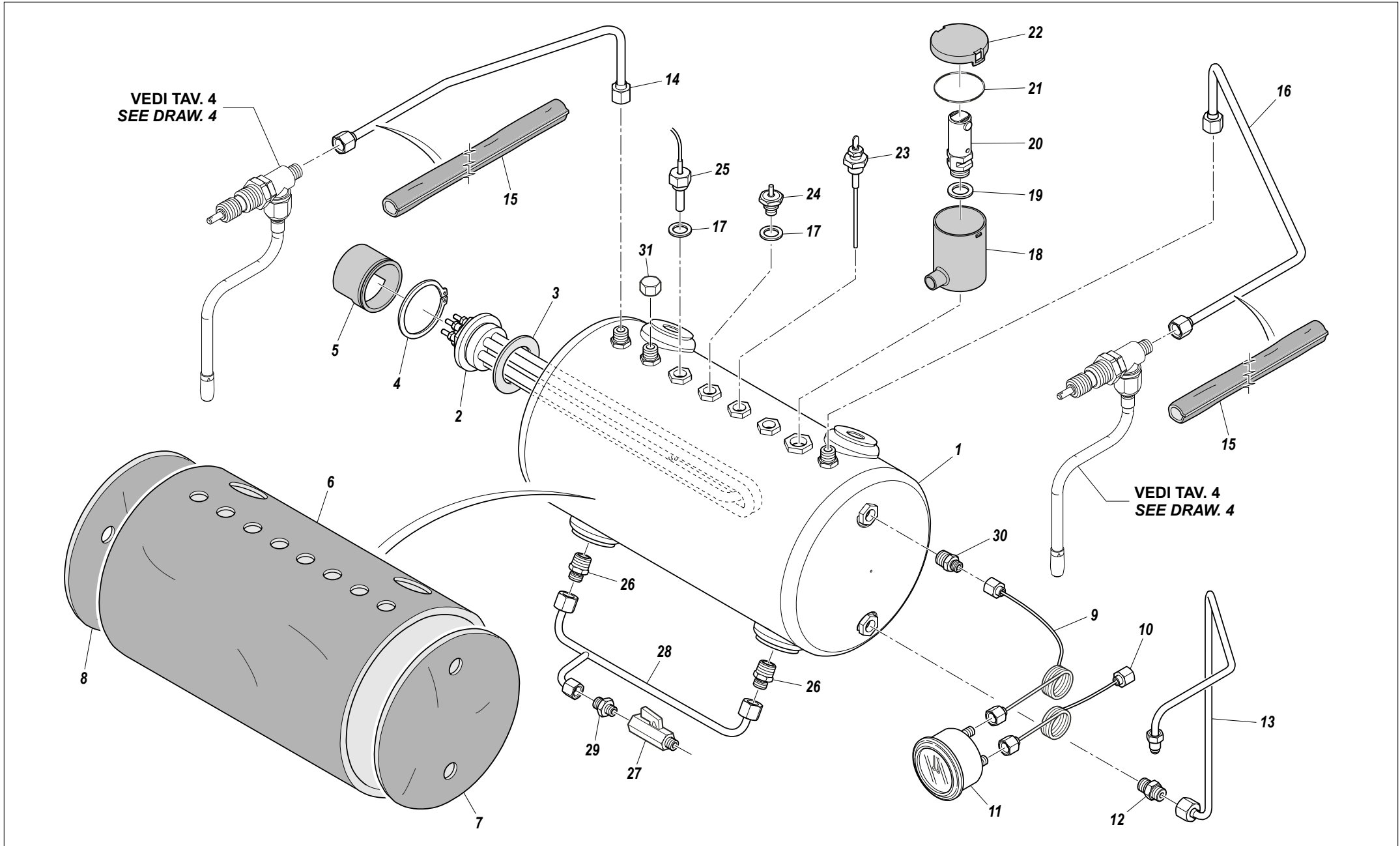
TAVOLA
DRAWING

8





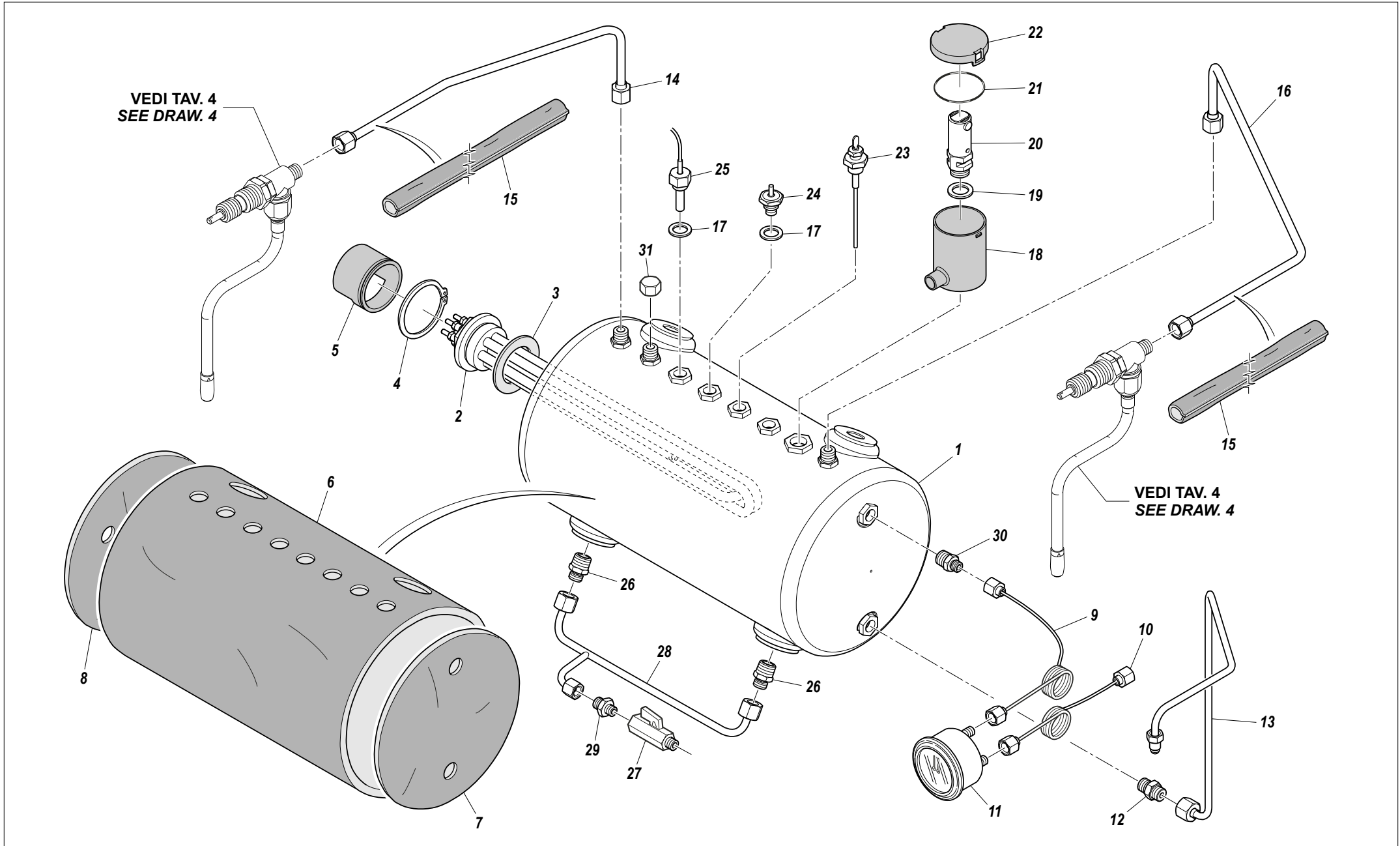
RIF. POS.	CODICE CODE	DESCRIZIONE	DESCRIPTION	NOTE NOTES
1	10857530A	RACCORDO L 10-3/8M	L 10-3/8M FITTING	
2	13857280	RACCORDO L 8-3/8M	L 8-3/8M FITTING	
3	10853222	RACCORDO Y PORTAGOMMA	Y NOZZLE HOSE FITTING	
4	10905010	TUBO SILICONE 7X4	7X4 SILICON TUBE	
5	10905024	TUBO SILICONE D.18	D.18 SILICON TUBE	
6	10909010	TUBO D.4X2,5 TEFLON	D.4X2,5 TEFLON TUBE	
7	10852464A	TUBO TRAZIONE 1/4F-3/8F L2000	1/4F-3/8F L2000 TRACTION TUBE	
7	10852484A	TUBO TRAZIONE 3/8 L2000	3/8 L2000 TRACTION TUBE	
8	10252096	MOTORE POMPA ESTERNA	EXTERNAL PUMP MOTOR	POMPA ESTERNA / EXTERNAL PUMP
8	10252094B	MOTORE POMPA INTERNO	INTERNAL PUMP MOTOR	POMPA INTERNA / INTERNAL PUMP
9	10252072C	POMPA PA204	PA204 PUMP	
10	10852484A	TUBO TRAZIONE 3/8 L=2000 mm	3/8 L=2000 mm TRACTION TUBE	POMPA ESTERNA / EXTERNAL PUMP
10	10852470A	TUBO TRAZIONE 1/4 L=450 mm	1/4 L=450 mm TRACTION TUBE	POMPA INTERNA / INTERNAL PUMP
11	10004100	TUBO SCARICO CALDAIA VR RS 2	VR RS 2 BOILER EXHAUST TUBE	2 GRUPPI / 2 GROUPS
11	10004216	TUBO SCARICO CALDAIA VR RS 3	VR RS 3 BOILER EXHAUST TUBE	3 GRUPPI / 3 GROUPS
12	10855032C	RACCORDO DRITTO 1/4M 1/4M	1/4M 1/4M STRAIGHT FITTING	
13	10402059	RUBINETTO SCARICO 1/8F	1/8F DRAIN TUBE	
14	10853092	RACCORDO DRITTO PORTAGOMMA 1/4	1/4 NOZZLE HOSE STRAIGHT FITTING	
15	10402060	MANOPOLA RUBINETTO SCARICO	DRAIN TAP KNOB	
16	10852108	REGOLATORE DI FLUSSO	FLOW REGULATOR	
17	10857130A	RACCORDO T F/F/F 1/8	T F/F/F 1/8 FITTING	
18	10803519	RONDELLA D.4,2 DENTELLATA	D.4,2 SERRATED WASHER	
19	10805512	DADO 4MA MEDIO ZN	4MA HALF ZN NUT	
20	10351134	TAPPO TUBO TRAZIONE	TRACTION TUBE PLUG	
21	10255022	ANTIVIBRANTE	ANTIVIBRATION	
22	10857050A	RACCORDO DRITTO 8-1/8M	8-1/8M STRAIGHT FITTING	
23	10805562	RONDELLA D.4 PIANA ZN	D.4 ZN FLAT WASHER	
24	10352058	PIEDINO POMPA ESTERNA	EXTERNAL PUMP FOOT	POMPA ESTERNA / EXTERNAL PUMP
25	10056104	ASSIEME TURBO STEAM VR RS	VR RS TURBO STEAM ASSEMBLY	

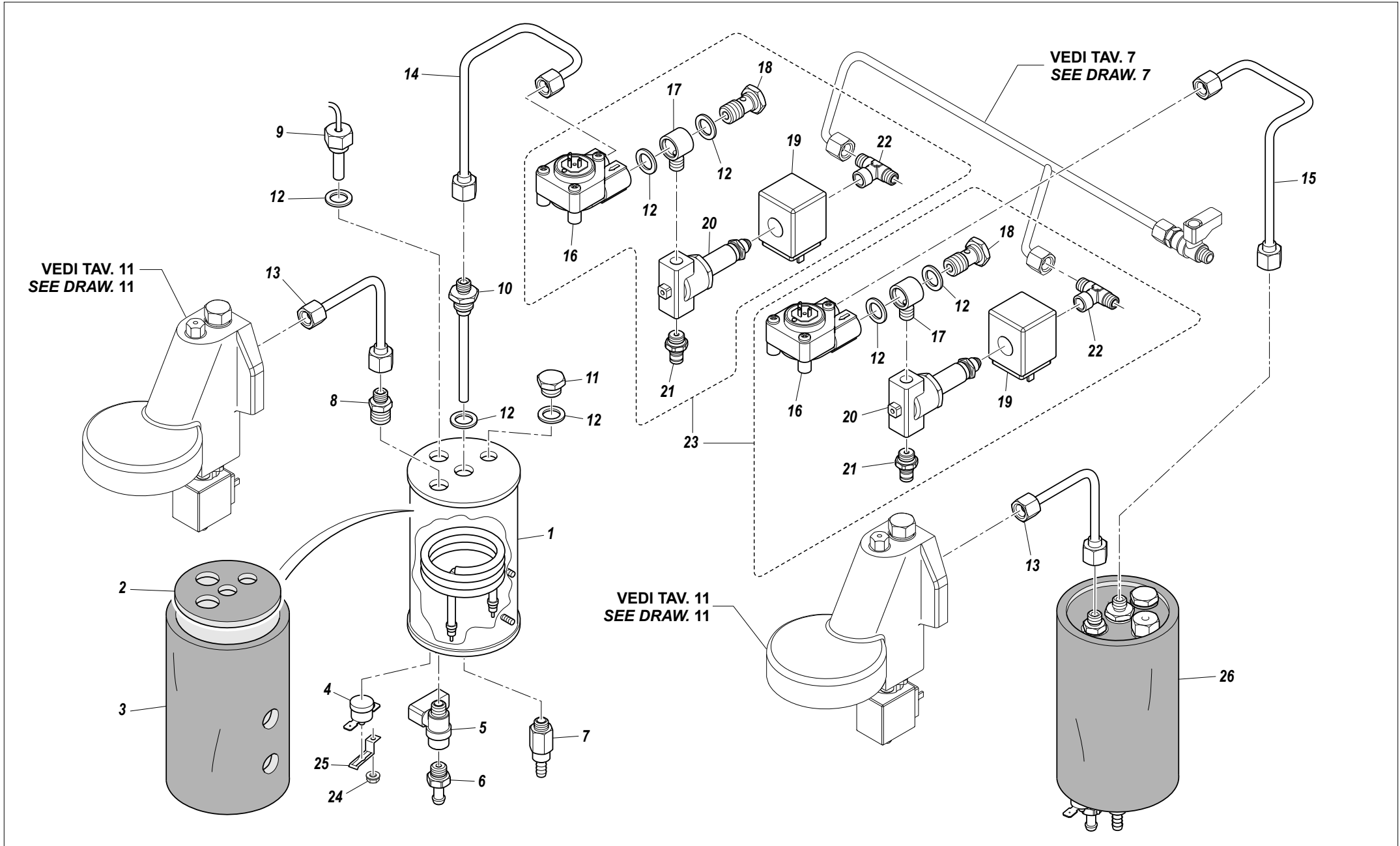


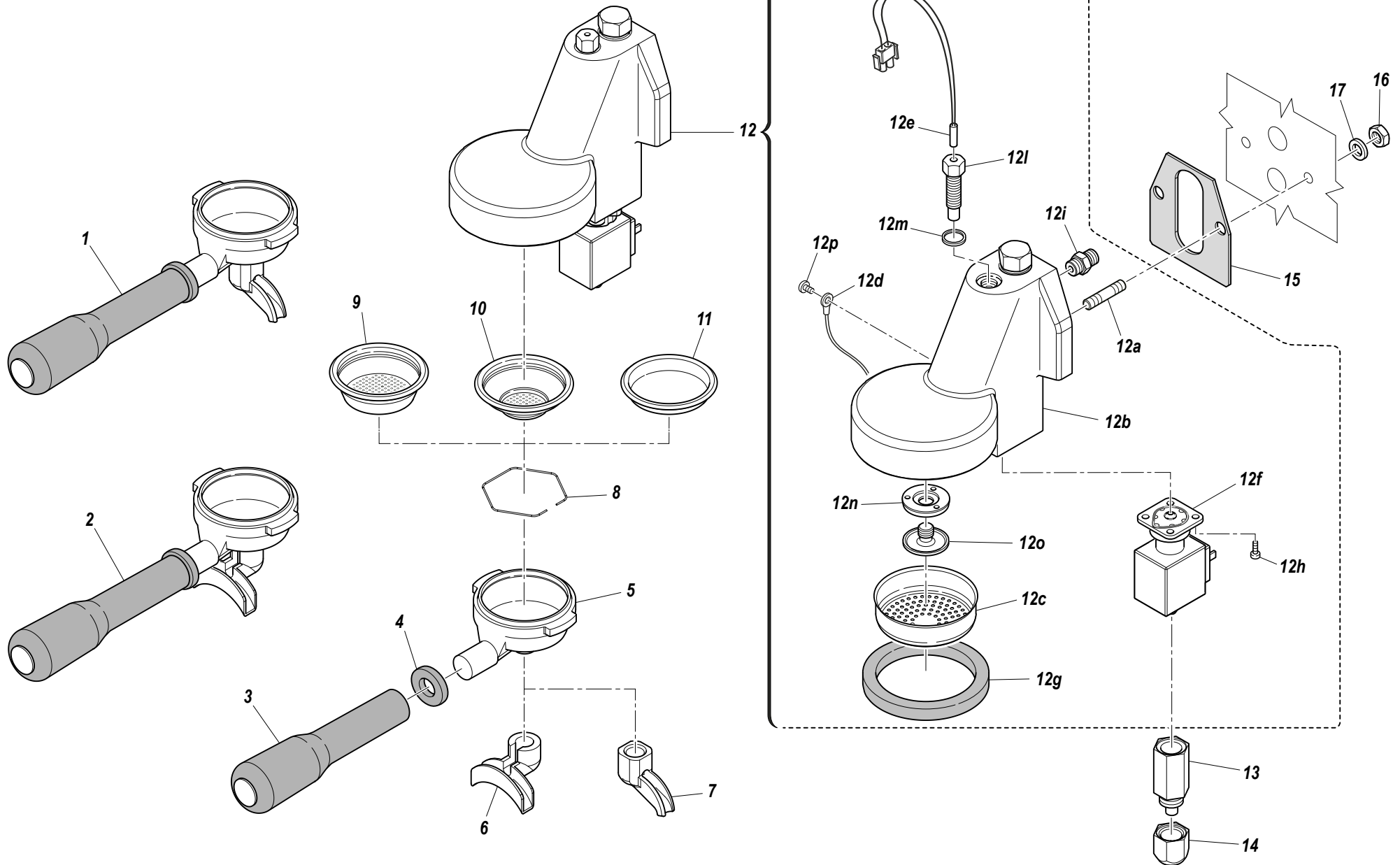


RIF. POS.	CODICE CODE	DESCRIZIONE	DESCRIPTION	NOTE NOTES
1	10002636B	CALDAIA 2 D180	2 D180 BOILER	
1	10002637B	CALDAIA 3 D180	3 D180 BOILER	
2	10455074A	RESISTENZA 3500W	3500W RESISTOR	
3	10502020	RONDELLA RESISTENZA	RESISTOR WASHER	
4	10806286	ANELLO SEEGER A52X2	CIRCLIP A52X2	
5	10455100B	PROTEZIONE RESISTENZA	RESISTOR PROTECTION	
6	10025526	ISOLANTE CALDAIA 2 D180	2 D180 BOILER INSULATION	
6	10025528	ISOLANTE CALDAIA 3 D180	3 D180 BOILER INSULATION	
7	10025536	ISOLANTE CALOTTA D180	D180 SHELL INSULATION	
8	10025534	ISOLANTE CALOTTA RESISTENZA D180	D180 RESISTOR SHELL INSULATION	
9	10002030	TUBO CAPILLARE CALDAIA	CAPILLARY BOILER TUBE	
10	10002018	TUBO CAPILLARE MANOMETRO	CAPILLARY PRESSURE GAUGE TUBE	
11	10552018A	MANOMETRO DOPPIA SCALA	DOUBLE RANGE GAUGE	
12	10855032C	RACCORDO DRITTO 1/4M 1/4M	1/4M 1/4M STRAIGHT FITTING	
13	10004076	TUBO CARICO CALDAIA VR RS 2-3	BOILER LOADING TUBE VR RS 2-3	
14	10004070	TUBO VAPORE SX VR RS 2-3	SX VR RS 2-3 STEAM TUBE	
15	10025584	ISOLANTE L=250 mm	ISOLANTE L=250 mm	
15	10025598	ISOLANTE L=580 mm	INSULATION L=580 mm	
16	10004072	TUBO VAPORE DX VR RS 2-3	VR RS 2-3 STEAM TUBE RIGHT	
17	10852180	RONDELLA RAME 1/4	1/4 COPPER WASHER	
18	10022489A	VASCHETTA VALVOLA SICUREZZA	TANK SAFETY VALVE	
19	10806324	RONDELLA 3/8 RAME	3/8 COPPER WASHER	
20	10652012B	VALVOLA SICUREZZA	SAFETY VALVE	
21	10505085	OR 3162	OR 3162	
22	10022497A	COPERCHIO VASCHETTA VALVOLA SICUREZZA	COVER TANK SAFETY VALVE	
23	10112064	SONDA LIVELLO 120	120 LEVEL CHECK ROD	
24	10652040A	VALVOLA SFIATO	RELIEF VALVE	
25	10112178A	SONDA NTC 1/4" M	NTC TEMP. SENSOR 1/4" M	
26	10857293A	RACCORDO DRITTO 8-3/8M	8-3/8M STRAIGHT FITTING	
27	10401404A	RUBINETTO 1/8M/F	1/8M/F TAP	
28	10004090	TUBO PONTE SCAMBIATORI VR RS 2	VR RS 2 EXCHANGERS BRIDGE TUBE	
29	10855032C	RACCORDO DRITTO 1/4M-1/4M	1/4M-1/4M STRAIGHT FITTING	

SEGUE / CONTINUE ---->



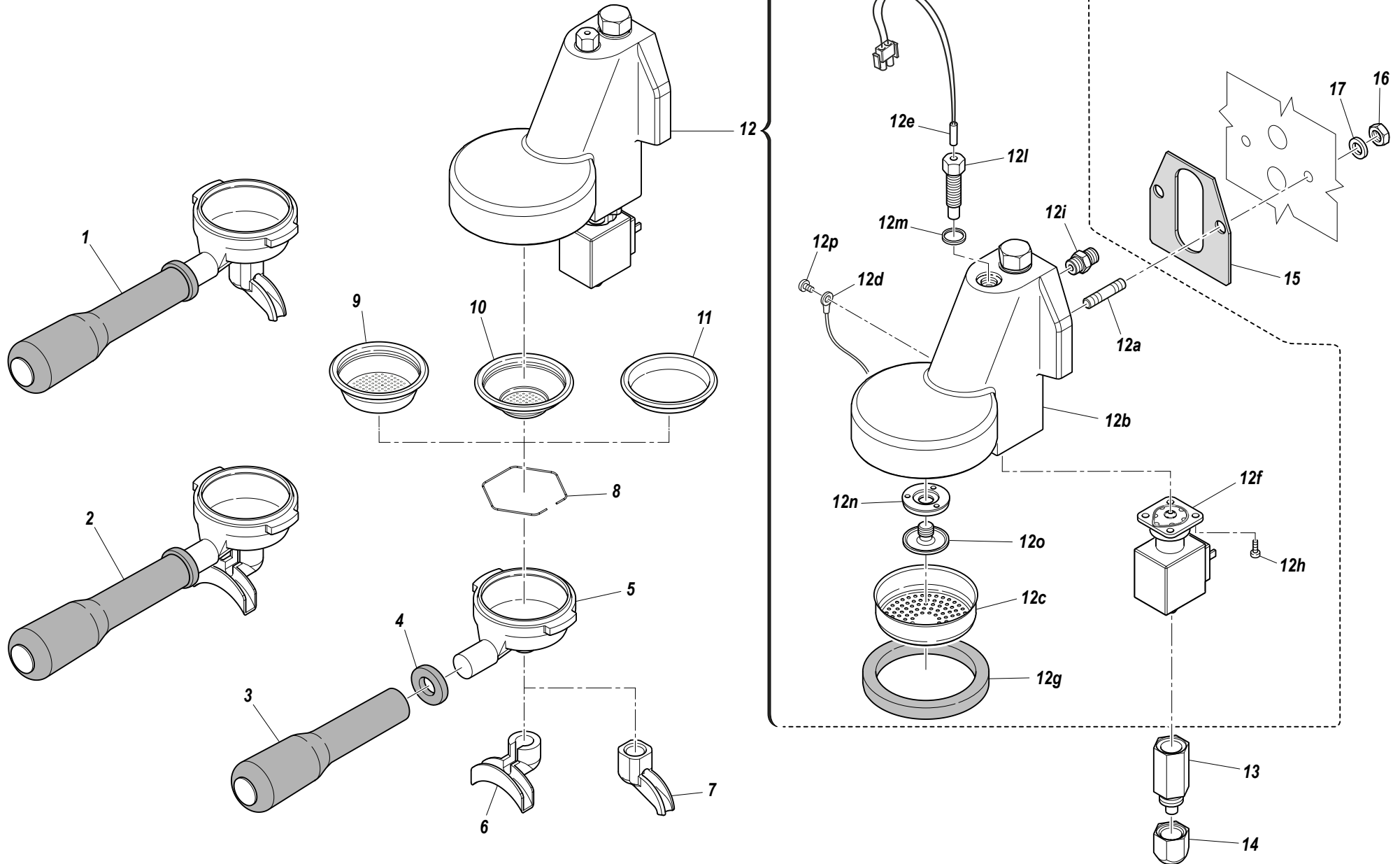


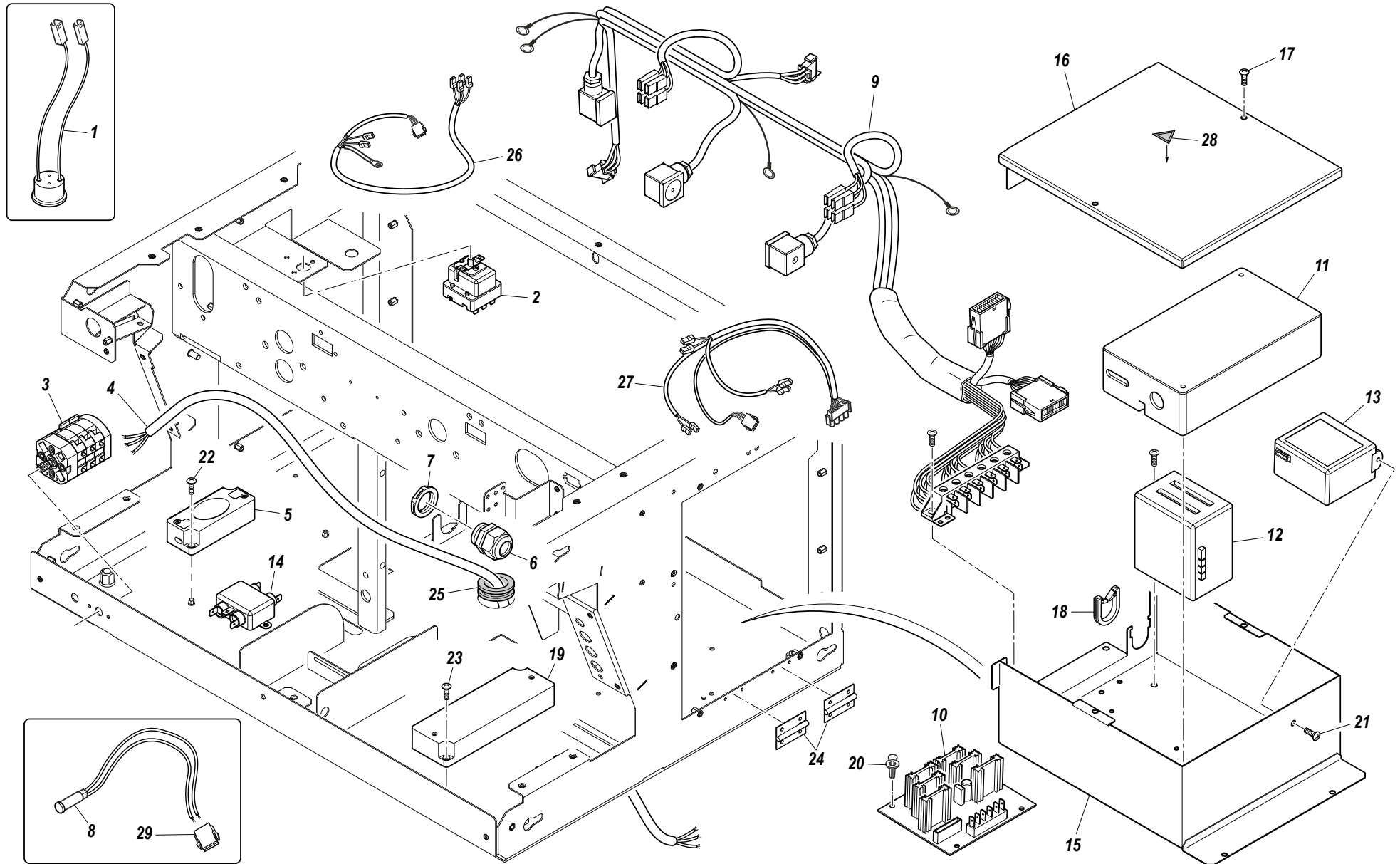




RIF. POS.	CODICE CODE	DESCRIZIONE	DESCRIPTION	NOTE NOTES
1	10402353	ASSIEME PORTAFILTRO 1 TAZZA VR RS ITA 6GR	VR RS ITA 6GR 1 CUP HOLDER ASSEMBLY	
1	10402362	ASSIEME PORTAFILTRO 1 TAZZA VR RS UK 7GR	VR RS UK 7GR 1 CUP HOLDER ASSEMBLY	
2	10402363	ASSIEME PORTAFILTRO 2 TAZZE VR RS ITA 14-16GR	VR RS ITA 14-16GR 2 CUPS HOLDER ASSEMBLY	
2	10402369	ASSIEME PORTAFILTRO 2 TAZZE VR RS UK 20GR	VR RS UK 20GR 2 CUPS HOLDER ASSEMBLY	
3	10091150A	MANICO PORTAFILTRO VR	VR FILTERHOLDER HANDLE	
4	10091154	ANELLO MANICO PORTAFILTRO VR	VR FILTERHOLDER RING HANDLE	
5	14402328	CORPO PORTAFILTRO 2 TAZZE	FILTERHOLDER 2 CUPS BODY	
6	14052085	BECCUCCIO 2 VIE APERTO	2 WAY OPEN NOZZLE	
7	14052075	BECCUCCIO 1 VIA APERTO	1 WAY OPEN NOZZLE	
8	10052050	MOLLA FERMA FILTRO D1.2 TIPO1	D1.2 FILTER STOP SPRING TYPE 1	
8	10052051	MOLLA FERMA FILTRO D1.2 TIPO2	D1.2 FILTER STOP SPRING TYPE 2	
9	10053040	FILTRO 2 TAZZE 14-16GR	14-16GR 2 CUPS FILTER	
9	10053046	FILTRO 2 TAZZE 20GR	20GR 2 CUPS FILTER	
10	10052072	FILTRO 1 TAZZA 6GR	6GR 1 CUP FILTER	
10	10052100	FILTRO 1 TAZZA 7GR	7GR 1 CUP FILTER	
11	10052220	FILTRO CIECO	BLIND FILTER	
12	10053200A	ASSIEME GRUPPO VR RS	VR RS GROUP ASSEMBLY	
12a	10052134	PRIGIONIERI GRUPPO E 61	SCREW STUDS GR. E 61	
12b	10052452A	GRUPPO VR RS	VR RS GROUP	
12c	10058102	DOCCIA RETE GRUPPO	GROUP NETWORK SHOWER	
12d	10112194	SONDA PTP-51F	TEMP. SENSOR PTP-51F	
12e	10115060A	RESISTENZA D.8 200W	D.8 200W RESISTOR	
12f	10302096	ELETTRIVALVOAL 3 VIE 32X32 230V D3	32X32 230V D3 3 WAYS SOLENOID	
12g	10502110	GUARNIZIONE SOTTOCOPPA H8,2	H8,2 UNDER CUP SEAL	
12h	10805060	VITE TCEI M4X6 A2	M4X6 A2 HEX BOLT	
12i	10857580B	RACCORDO DRITTO 6-1/4M	6-1/4M STRAIGHT FITTING	
12l	10052442A	PORTA SONDA GRUPPO VR RS	VR RS GROUP SENSOR HOUSING	
12m	10052448	RONDELLA RAME GRUPPO VR RS	VR RS GROUP COPPER WASHER	
12n	10052444A	MAZZOCCO GRUPPO VR RS	VR RS GROUP MAZZOCCO	
12o	10052446A	DIFFUSORE GRUPPO VR RS	VR RS GROUP DIFFUSER	
12p	10805177	VITE TBL- M4X6 A2	TBL- M4X6 A2 SCREW	
13	10302530	RACCORDO SCARICO ELETTRIVALVOLA	EXHAUST SOLENOID FITTING	

SEGUE / CONTINUE ---->







RIF. POS.	CODICE CODE	DESCRIZIONE	DESCRIPTION	NOTE NOTES
1	10554012B	LAMPADA LED	LED LAMP	
2	10111015	TERMOSTATO 169° RIARMO	THERMOSTAT 169° RESET	
3	10122050	COMMUTATORE MONOFASE	SINGLE PHASE SWITCH	
3	10122060	COMMUTATORE TRIFASE	THREE PHASE SWITCH	
4	10102191	CAVO ALIMENTAZIONE 5X2,5 TRIFASE	POWER CABLE 5x2,5 THREE PHASE	
4	10102193	CAVO ALIMENTAZIONE 3X4 MONOFASE	POWER CABLE 3X4 SINGLE PHASE	
5	10554112	ALIMENTATORE PER TVC	POWER SUPPLY FOR TVC	
6	10102250	PRESSACAVO PG.21	PG.21 CABLE GLAND	
7	10102249	CONTRODADO PG.21	PG.21 LOCKNUT	
8	10553021	SPIA ARANCIO D6 230V	D6 230V ORANGE LIGHT	
9	10102670B	CABLAGGIO VR RS 2	VR RS 2 WIRE HARNESS	
9	10102674	CABLAGGIO VR RS 3	VR RS 3 WIRE HARNESS	
10	10112388	SCHEDA ESPANSIONE 6TRIAC VR RS	6TRIAC VR RS EXPANSION CARD	
11	10112382E	CENTRALINA VR RS 2-3	VR RS 2-3 CONTROL UNIT	
12	10112356	CENTRALINA PIDBULL 2-3 VR RS	2-3 VR RS PIDBULL CONTROL UNIT	
13	10112186	SCHEDA ESPANSIONE 3 RELE'	3 RELAYS EXPANSION BOARD	
13	10602058	SCHEDA ESPANSIONE 6 RELE' TVC	TVC 6 RELAYS EXPANSION BOARD	
14	10509016	FILTRO LUCI	LIGHT FILTER	
15	10012921	SCATOLA CENTRALINE VR RS	VR RS CONTROL UNIT CASE	
16	10012919	COPERCHIO SCATOLA CENTRALINA VR RS	VR RS CONTROL UNIT CASE COVER	
17	10805027A	VITE TBL- M4X10 A2	TBL- M4X10 A2 SCREW	
18	10105032	PASSACAVO NYLON	NYLON CABLE GUIDE	
19	10554100	ALIMENTATORE LED	POWER LED	
20	10355054	DISTANZIALE CIRCUITO	CIRCUIT DISTANCE PIECE	
21	10805114	VITE TC- SW M5X12 ZN	TC- SW M5X12 ZN SCREW	
22	10805054	VITE TC- M3X10 A2	TC- M3X10 A2 SCREW	
23	10805084	VITE TC- M4X10 ZN	TC- M4X10 ZN SCREW	
24	10155010	CERNIERA STRETTA	NARROW HINGE	
25	10105030	PASSACAVO IN GOMMA	RUBBER CABLE GUIDE	
26	10102470	CABLAGGIO LANCIA TVC VR RS 2-3	TVC VR RS 2-3 NOZZLE WIRING	
27	10102672	CABLAGGIO LUCI VR RS 2-3	VR RS 2-3 LIGHT WIRING	
28	10955015	ETICHETTA TENSIONE	VOLTAGE LABEL	
29	10105180	BLOCCHETTO 2 VIE BIANCO	2 WAY BLOCK WHITE	

CODICE CODE	TAVOLA DRAWING	RIF. POS.	CODICE CODE	TAVOLA DRAWING	RIF. POS.	CODICE CODE	TAVOLA DRAWING	RIF. POS.	CODICE CODE	TAVOLA DRAWING	RIF. POS.	CODICE CODE	TAVOLA DRAWING	RIF. POS.	CODICE CODE	TAVOLA DRAWING	RIF. POS.
10002018	9	10	10012923	2	6	10053040	11	9	10102670B	12	9	10302074	10	20	10402502A	4	2a
10002030	9	9	10012925	2	6	10053046	11	9	10102672	12	27	10302096	11	12f	10402508A	4	2
10002636B	9	1	10012926	1	10	10053109	7	9e	10102674	12	9	10302100	7	13	10455044	2	17
10002637B	9	1	10012928A	2	15	10053110	7	9b	10105030	12	25	10302530	11	13	10455045	2	17
10002659A	10	1	10012930	7	12	10053200A	11	12	10105032	12	18	10303010B	5	10	10455074A	9	2
10004070	9	14	10012932	2	20	10056058C	7	9	10105180	12	29	10303064	5	19	10455100B	9	5
10004072	9	16	10012934	2	15	10056104	8	25	10111014	10	25	10303107	6	10	10502020	9	3
10004074A	6	7	10012937	2	6	10056300	10	23	10111015	12	2	10303108	5	15	10502110	11	12g
10004076	9	13	10012938	1	10	10058027	7	9c	10111045	10	4	10303187	6	2	10502130	11	15
10004078	6	8	10017842B	3	17	10058040B	7	9a	10112064	9	23	10351134	8	20	10505085	9	21
10004081	6	9	10017846B	3	18	10058042	7	9f	10112067	3	8	10352055A	1	11	10505121A	4	3e
10004082A	7	5	10022441A	2	12	10058044	7	9m	10112067	3	10	10352058	8	24	10505558	4	3a
10004084	7	1	10022476B	2	14	10058048	7	9n	10112078	3	9	10352096	1	5	10509016	12	14
10004086	7	2	10022489A	9	18	10058050	7	9l	10112096	3	8	10352098	1	5	10552018A	9	11
10004088	7	4	10022497A	9	22	10058102	11	12c	10112096	3	9	10352100A	1	5	10553021	12	8
10004090	9	28	10022694	2	5	10091108B	1	3	10112106	3	14	10352102A	1	5	10553066	2	9
10004092A	10	14	10022698	2	5	10091128B	1	2	10112109	3	15	10355054	12	20	10554012B	12	1
10004094A	10	15	10022726A	2	3	10091140A	3	2	10112115	3	16	10355172	7	9i	10554100	12	19
10004096	10	13	10025512	10	3	10091142	3	3	10112155	3	16	10401400	7	8	10554112	12	5
10004100	8	11	10025514	10	2	10091150A	11	3	10112178A	9	25	10401404A	9	27	10602058	12	13
10004200	6	8	10025526	9	6	10091154	11	4	10112178A	10	9	10401404A	10	5	10652012B	9	20
10004216	8	11	10025528	9	6	10091160	1	22	10112186	12	13	10401804	5	8	10652024A	6	17
10004220	5	27	10025534	9	8	10091186A	2	7	10112194	11	12d	10401981	6	1	10652024A	7	3
10004222	5	23	10025536	9	7	10091200A	1	8	10112282	10	16	10402014	4	3c	10652040A	9	24
10004224	5	24	10025584	5	26	10091210B	1	3	10112318	3	1	10402028	4	7	10652052	7	9g
10004226	5	25	10025584	9	15	10091215B	1	2	10112346	3	11	10402028	5	31	10655557A	7	9o
10012144	2	13	10025598	5	26	10091220A	1	9	10112356	12	12	10402035	5	29	10655557A	10	7
10012330	5	3	10025598	9	15	10091252	1	7	10112376	3	13	10402040	4	8	10753052	4	2c
10012360A	2	1	10031028	3	7	10091254	1	7	10112380B	3	6	10402040	5	32	10753056	4	1a
10012369B	2	16	10031070A	3	5	10091418	1	7	10112382E	12	11	10402043	4	4	10801028	1	13
10012396B	2	4	10042048	10	10	10091448	1	7	10112384D	3	4	10402043	6	23	10802500	11	16
10012398A	2	2	10051190	10	26	10091508	1	4	10112388	12	10	10402056A	4	10	10803519	5	6
10012408A	2	2	10051192	10	26	10091518	1	4	10112426	3	12	10402056A	6	25	10803519	7	10
10012410A	2	1	10052050	11	8	10091580	1	4	10115060A	11	12e	10402059	8	13	10803519	8	18
10012423	2	6	10052051	11	8	10091582	1	4	10122050	12	3	10402060	8	15	10803520	6	12
10012426B	2	16	10052072	11	10	10092262	1	6	10122060	12	3	10402068	7	9d	10803521	11	17
10012430	2	3	10052100	11	10	10092263	1	6	10155010	12	24	10402120C	4	3	10803524	6	21
10012498A	2	18	10052134	11	12a	10092428	1	6	10252072C	8	9	10402229	4	1	10805022A	1	18
10012512D	1	1	10052220	11	11	10092498	1	6	10252094B	8	8	10402353	11	1	10805027	2	10
10012580A	2	19	10052442A	11	12l	10102191	12	4	10252096	8	8	10402362	11	1	10805027A	5	7
10012582A	2	19	10052444A	11	12n	10102193	12	4	10255022	8	21	10402363	11	2	10805027A	12	17
10012584B	1	1	10052446A	11	12o	10102249	12	7	10402369	11	21	10402369	11	2	10805029	1	12
10012919	12	16	10052448	11	12m	10102250	12	6	10255084	5	17	10402476A	4	2b	10805054	12	22
10012921	12	15	10052452A	11	12b	10102470	12	26	10302070	5	20	10402478	1	24	10805060	5	4



CODICE CODE	TAVOLA DRAWING	RIF. POS.	CODICE CODE	TAVOLA DRAWING	RIF. POS.	CODICE CODE	TAVOLA DRAWING	RIF. POS.	CODICE CODE	TAVOLA DRAWING	RIF. POS.	CODICE CODE	TAVOLA DRAWING	RIF. POS.	CODICE CODE	TAVOLA DRAWING	RIF. POS.
10805060.....	7.....	14	10853272.....	10.....	22	13857520A.....	5.....	19									
10805060.....	11.....	12h	10855032C.....	5.....	22	14052075.....	11.....	7									
10805074.....	5.....	5	10855032C.....	8.....	12	14052085.....	11.....	6									
10805074.....	7.....	11	10855032C.....	9.....	12	14402052A.....	11.....	14									
10805075.....	6.....	11	10855032C.....	9.....	29	14402143.....	6.....	6									
10805084.....	12.....	23	10857050A.....	8.....	22	14402328.....	11.....	5									
10805114.....	12.....	21	10857080A.....	7.....	7	14859036B.....	6.....	22									
10805119.....	1.....	23	10857130A.....	8.....	17												
10805126.....	2.....	11	10857240A.....	10.....	17												
10805152.....	5.....	16	10857293A.....	7.....	6												
10805177.....	11.....	12p	10857293A.....	9.....	26												
10805512.....	8.....	19	10857520B.....	6.....	5												
10805562.....	8.....	23	10857530A.....	8.....	1												
10806286.....	9.....	4	10857540B.....	10.....	11												
10806288.....	7.....	9h	10857580B.....	9.....	30												
10806312.....	4.....	6	10857580B.....	10.....	8												
10806312.....	5.....	30	10857580B.....	11.....	12i												
10806324.....	9.....	19	10857660B.....	9.....	31												
10806372.....	4.....	9	10857780A.....	6.....	3												
10806372.....	5.....	28	10905010.....	5.....	2												
10809005.....	10.....	24	10905010.....	8.....	4												
10852004.....	5.....	12	10905024.....	8.....	5												
10852004.....	6.....	16	10909010.....	5.....	1												
10852108.....	8.....	16	10909010.....	6.....	14												
10852180.....	9.....	17	10909010.....	8.....	6												
10852180.....	10.....	12	10955013A.....	1.....	21												
10852210B.....	5.....	13	10955015.....	12.....	28												
10852464A.....	8.....	7	10955025A.....	1.....	20												
10852470A.....	8.....	10	10955033.....	1.....	19												
10852484A.....	8.....	7	10955034A.....	1.....	19												
10852484A.....	8.....	10	10955036.....	1.....	14												
10853049A.....	10.....	18	10955056.....	1.....	16												
10853053B.....	6.....	18	10955058.....	1.....	16												
10853068A.....	5.....	14	10955070A.....	1.....	17												
10853068A.....	10.....	6	10955080A.....	2.....	8												
10853085.....	6.....	20	10955084B.....	1.....	15												
10853092.....	8.....	14	13053270.....	6.....	13												
10853204.....	6.....	15	13401056.....	4.....	5												
10853204.....	10.....	21	13402015.....	4.....	3d												
10853208.....	6.....	19	13402054A.....	6.....	24												
10853210.....	5.....	9	13402061.....	4.....	3b												
10853210.....	6.....	4	13857080A.....	5.....	11												
10853222.....	8.....	3	13857280.....	8.....	2												
10853270.....	5.....	18	13857293.....	6.....	26												



SANREMO coffee machines s.r.l.

Via Bortolan, 52

31050 Vascon di Carbonera (Treviso) ITALY

Tel. +39.0422.498900 - Fax. +39.0422.448935

www.sanremomachines.com - E-mail: info@sanremomachines.com